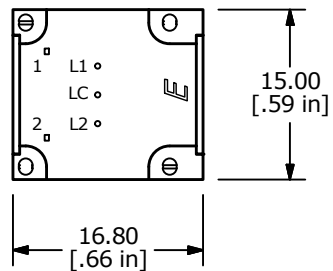
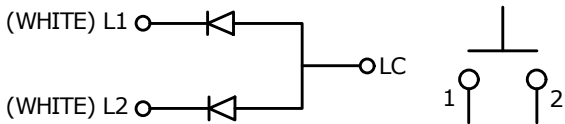
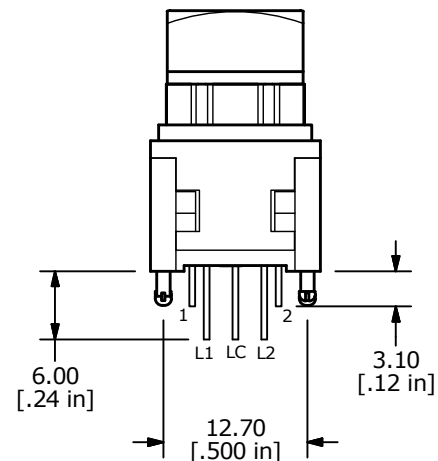
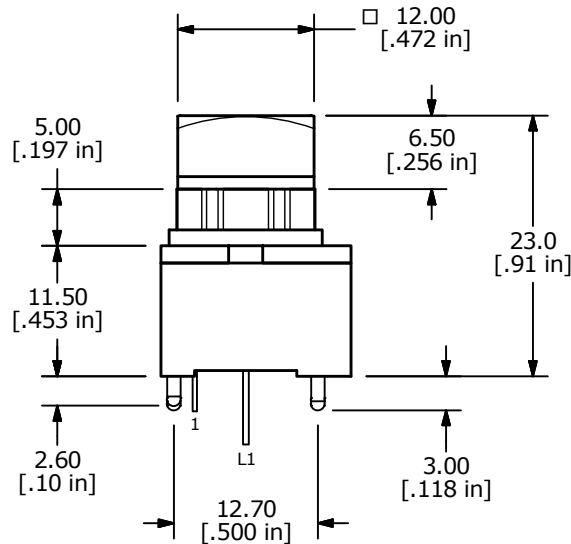


▲ LED COLOR: WHITE



- NOTES:
1. ALL DIMENSIONS IN MM [INCH]
 2. GENERAL TOLERANCE: X.X = ± 0.4
X.XX = ± 0.25
 3. TERM. NUMBERS FOR REFERENCE ONLY.
 4. RATING: 12VDC, 100mA
 5. CONTACT MATERIAL: GOLD PLATED
 6. CONTACT RESISTANCE: 200 mΩ MAX.
 7. INSULATION RESISTANCE: 500VDC, 100 MΩ MIN.
 8. OPERATING FORCE: 200 ± 100gf
 9. MECHANICAL LIFE: 2,000,000 CYCLES
 10. OPERATING TEMP: -40°C to +85°C
 - ▲ 11. LED COLORS: WHITE / WHITE
 12. TRAVEL: 4.00mm±0.20
 13. ▲ DENOTES CRITICAL PARAMETER.
 - ▲ 14. SWITCH HAS NON TACTILE FEEDBACK WHEN ACTUATED

LED SPECS	UNITS	WHITE	WHITE
FORWARD CURRENT	mA	20	20
FORWARD VOLTAGE @20mA	V	2.8-4.0	2.8-4.0
LUMINOUS INTENSITY @20mA	MCD	120-400	120-400



A	24186	NEW RELEASE	2/5/20	MW
REV	PCR NO	DESCRIPTION	DATE	BY

TITLE LP11EE1NASWW				
SCALE	DATE	DR	DWG	REV
3:2	2/5/2020	MW	B232006	A

THE INFORMATION CONTAINED IN THIS DOCUMENT IS PROPRIETARY TO E-SWITCH AND IS NOT TO BE COPIED OR TRANSFERRED